

m o d e r n r a n g e

Get comfortable with the evolution pellet fire



visible
flame



user
friendly



leading
design



healthy
home

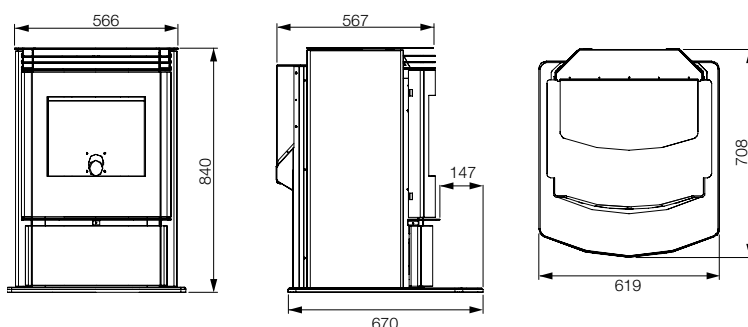


clean air
approved



economical

The free-standing **evolution** pellet fire is styled to fit into any décor and has a maximum heat output in the high performance range. It is ideal for most average-sized modern family homes with up to three bedrooms.



Unit dimensions

Height	840 mm
Width	566 mm
Depth	567 mm
Hopper capacity	36kg

Hearth dimensions

-
619 mm
708 mm
-

Features

- free-standing
- automatic ignition and controls
- comes with its own hearth
- hidden door handle
- cast iron top
- thermostatically compatible



Performance

Efficiency	80%
Maximum heat output	10kW
House type	up to 3 bedrooms

A pellet fire will use between 50 and 75 twenty-kilo bags of pellet fuel a year (1 to 1½ tonnes) to heat an average-sized family home. Costs will vary depending on location and the severity of the winter. Nature's Flame pellet fuel:

- is made from 100% New Zealand-grown pine
- is available nationwide
- is easy to store
- is dry, light, clean handling and pleasant smelling
- costs less than electricity or gas for equivalent heat output
- made from waste wood
- creates low emissions and minimal ash residue

Dealer stamp



0800 765 431
www.switchenergy.co.nz

